

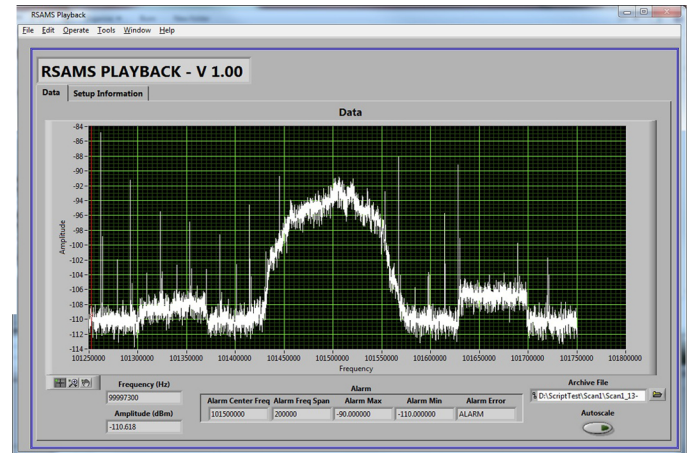
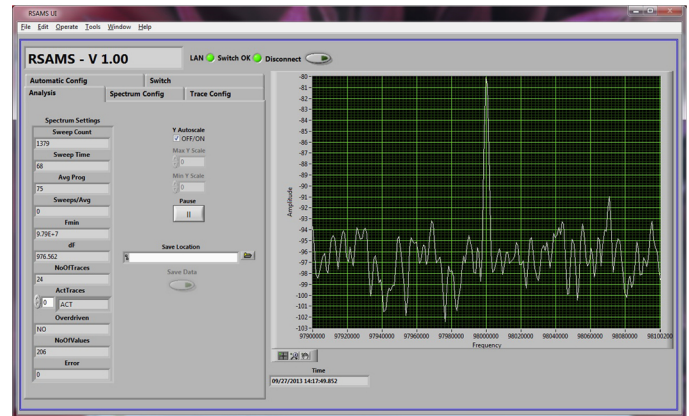
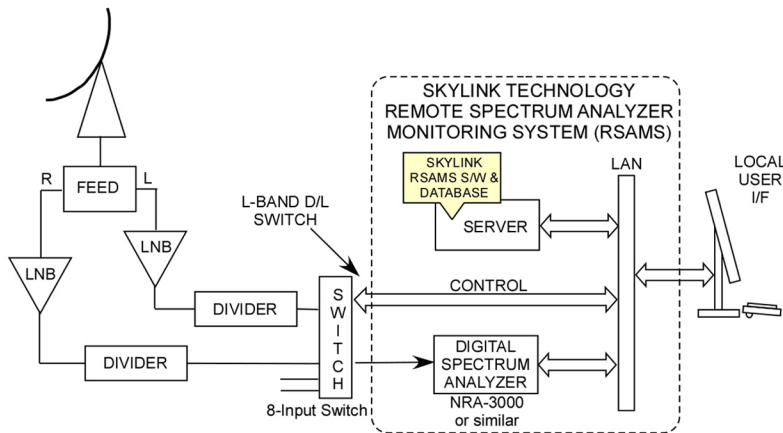
Skylink Technology Remote Spectrum Analyzer Monitor System (RSAMS)

The Skylink Technology Remote Spectrum Analyzer Monitor System is a powerful software package that when combined with a spectrum analyzer will perform the following:

- Conduct automated scheduled measurements of satellite windpanders using Automatic Spectral Capture
- Save setup and archive data
- View a frequency range of 9 kHz to 3 GHz when combined with the Narda NRA-3000
- Control an RF input Switch
- Provide a manual mode for carrier selection and signal investigation
- Output measurement data in Excel compatible format for off-line analysis and reporting
- Connect and control remote spectrum analyzer from a Web Browser
- Playback of any archived file

Includes:

- Free 60 Day Trial Software
- One license needed per company location
- Unlimited Seats



Leader in Creative Technology

3525 Quakerbridge Rd
Suite 906
Hamilton, NJ 08619

609-689-9200
www.skylinktechnology.com